

60" Two Piece Shower Above The Floor Rough-In Center Drain

High Gloss Gelcoat Finish

FEATURES

- **86036 Saban**

59-3/4" x 35" x 80-1/2" (nominal outside)

- *Two piece construction*
- *Above floor rough-in*
- *Two seats*
- *Slip resistant floor*

The unit is made of sanitary grade high gloss polyester gelcoat with reinforced composite matrix.

NOTES

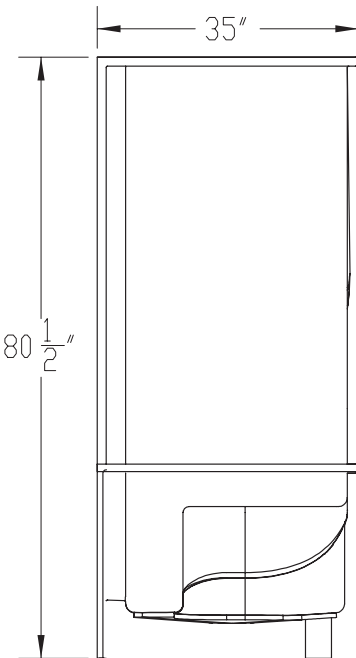
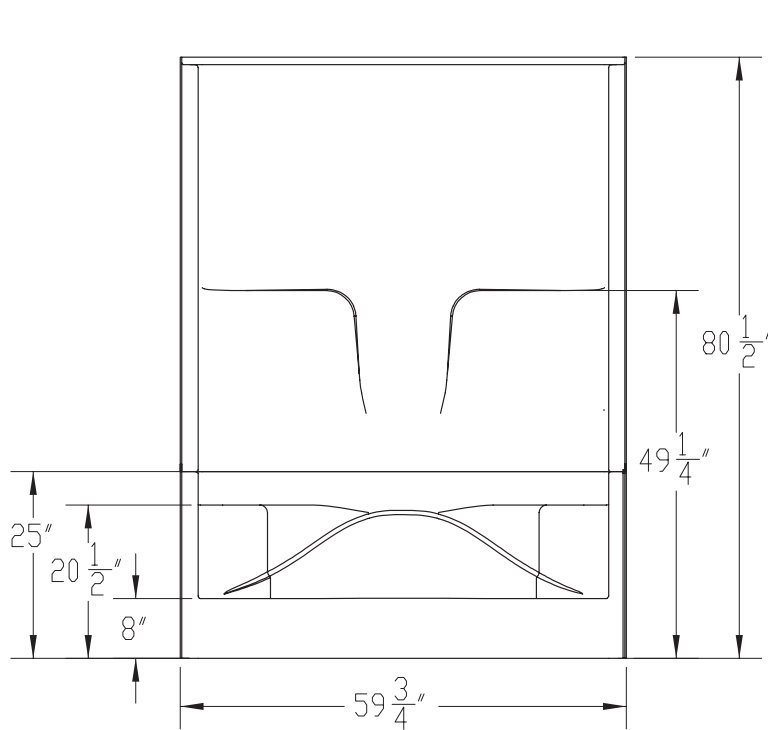
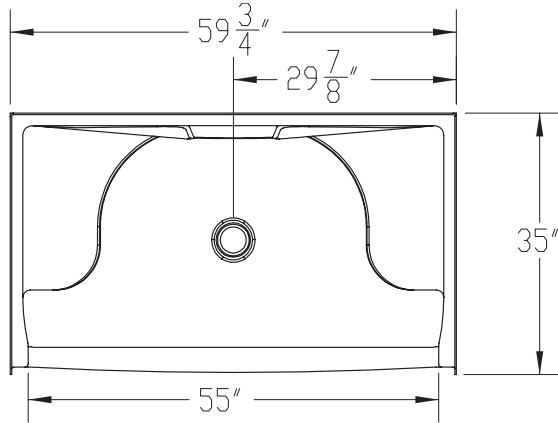
- *Dimensions: 59-3/4" x 35" x 80-1/2" with flange*
Shipping Weight: 140 lbs.
Certifications: ANSI Z124.2; NAHB
- *Installation instructions included.*



SABAN

86036

60" Two Piece Shower
Above The Floor Rough-In
Center Drain
High Gloss Gelcoat Finish



IMPORTANT: Roughing-in dimensions may vary $\frac{1}{2}"$ and are subject to change or cancellation without prior notice. No responsibility is assumed for use of superseded or voided leaflets.