

FOREMOST

Auguste 30 inch vanity in white

Model Number: **AUWV3022**

UPC: **721015364283**

Specifications:

- White finish with distressed antique nickel knobs
- Transitional vanity style with tapered legs
- Full width open bottom shelf
- 2 framed cabinet doors
- Adjustable slow close, concealed cabinet door hinges
- Fully assembled vanity

Overall Dimensions:

30 W X 21.5 D 34 H

Shipping:

GW 58.3 lbs

Construction & Materials:

- Core Materials: Engineered Wood, Wood
- Solid Wood Frame: Yes
- Side Panels: Furniture Board with Wood Veneer
- Door & Drawer Fronts: Furniture Board with Wood Veneer



Download Collection Images

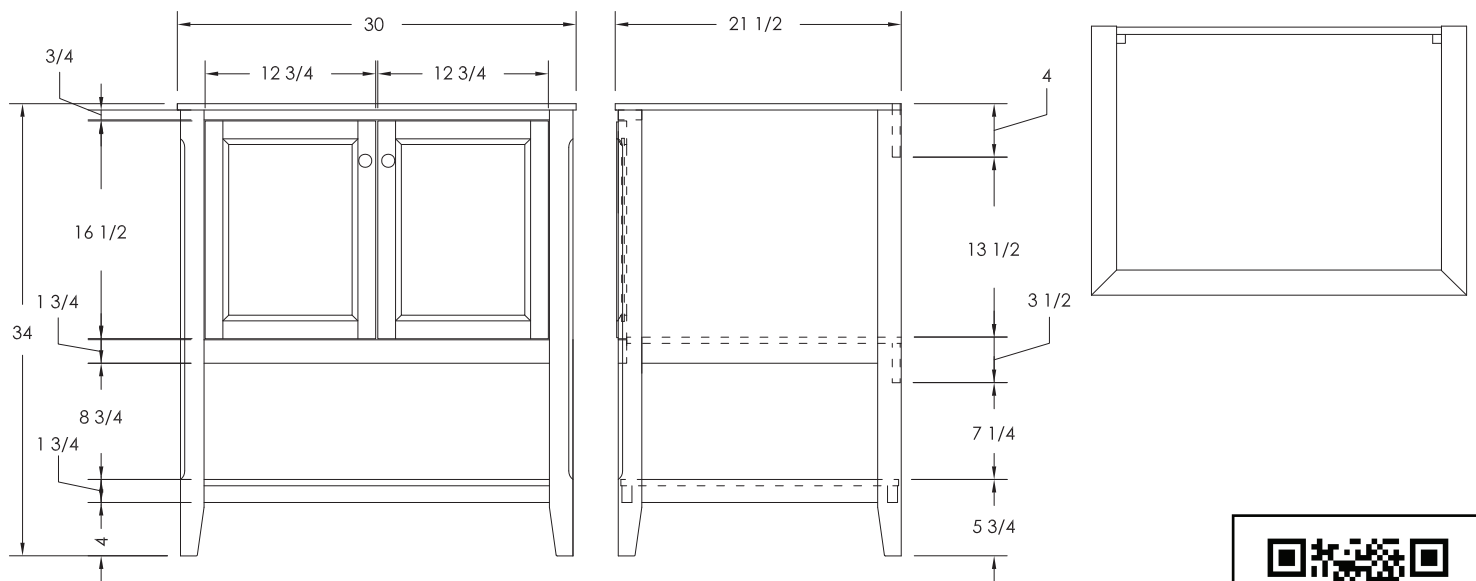
[High-Res](#)

[Low-Res](#)

Resources

[Register Your Warranty](#)

[Installation Manual](#)



Important: Dimensions of each product are nominal and may vary within the range of tolerances allowed. These measurements are subject to change or cancellation. No responsibility is assumed for use of superseded or voided pages.

CARB
California Air Resources Board
California 93120.2(a) Compliant for Formaldehyde



Add to Smart Phone

6241 Northwind Parkway, Hobart, Indiana 46342 T: (888) 620-3667 F: (219) 947-3630

www.foremostgroups.com/page/bathroom