

Tuscan Island



Aqua Green



Antique White



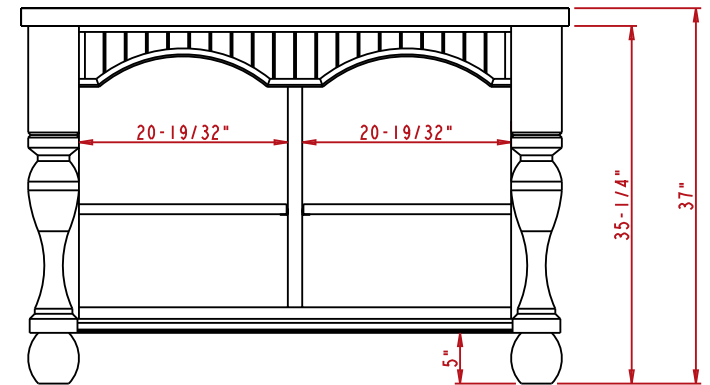
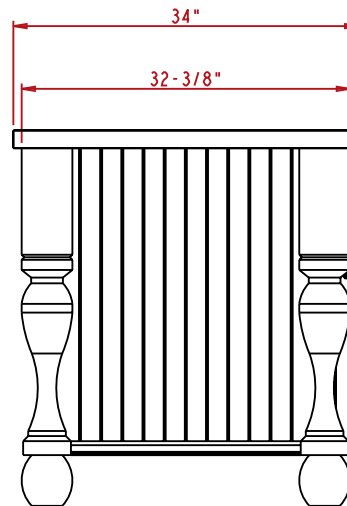
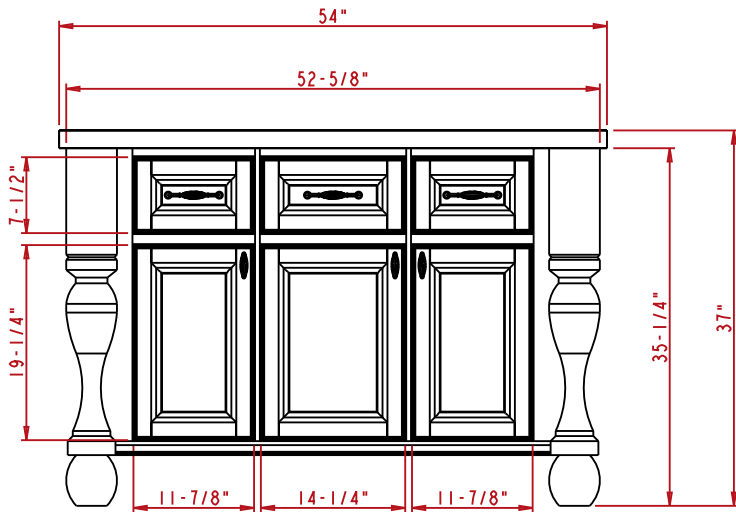
Distressed Black



Brilliant Red



Grey



This furniture style island is manufactured using the highest quality furniture grade hardwoods and MDF. The island features fully adjustable display shelves on one side and three working drawers and cabinets on reverse. Cabinets have one adjustable shelf. The drawers are dovetailed solid hardwood and are mounted on full extension ball bearing slides. Available in five finishes.

- The included decorative hardware can be found in the Jeffrey Alexander Glenmore Collection (item # 618, 718)
- Coordinating wood posts can be found in the Hardware Resources collection (item # P13)
- Finishes are applied by hand
- All materials used meet California CARB2 requirements

ISL01-AQU (Aqua Green)

ISL01-AWH (Antique White)

ISL01-GRY (Grey)

ISL01-DBK (Distressed Black)

ISL01-RED (Brilliant Red)

- Island base only
- 52 5/8" L x 32 3/8" W x 35 1/4" H

ISL01-TOP

- 1 3/4" hard maple edge grain butcher block
- Food safe glues & finishing materials
- 54" L x 34" W
- Made in the USA