

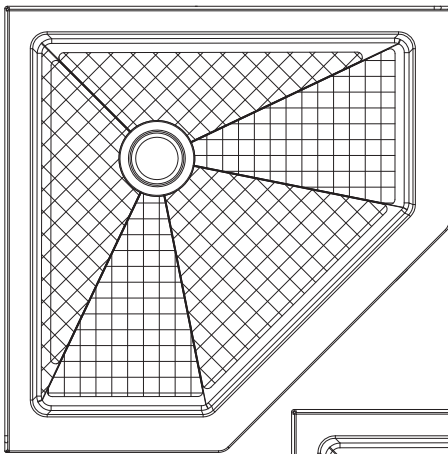
NEO ANGLE BASE

Model Numbers

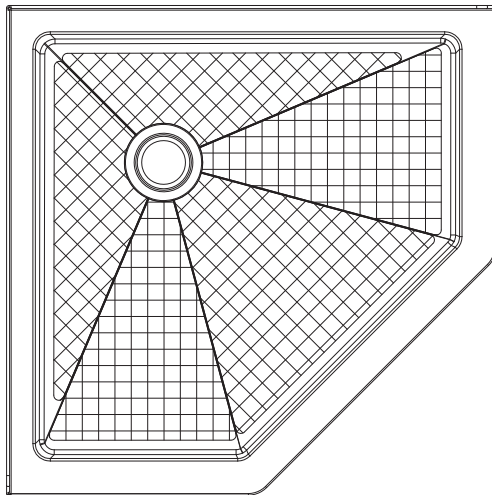
3636NA-W

3838NA-W

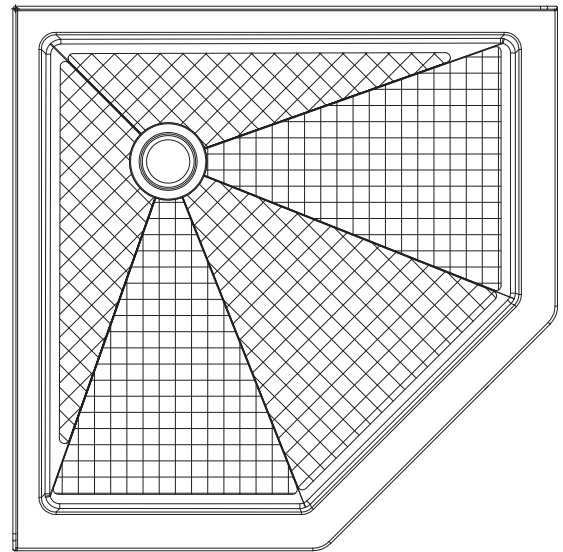
4242NA-W



36" W x 36" D



38" W x 38" D




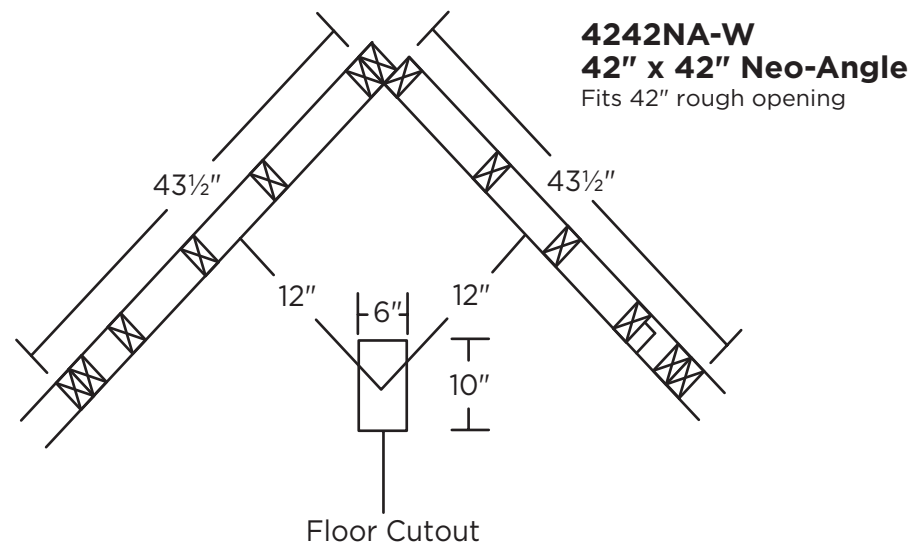
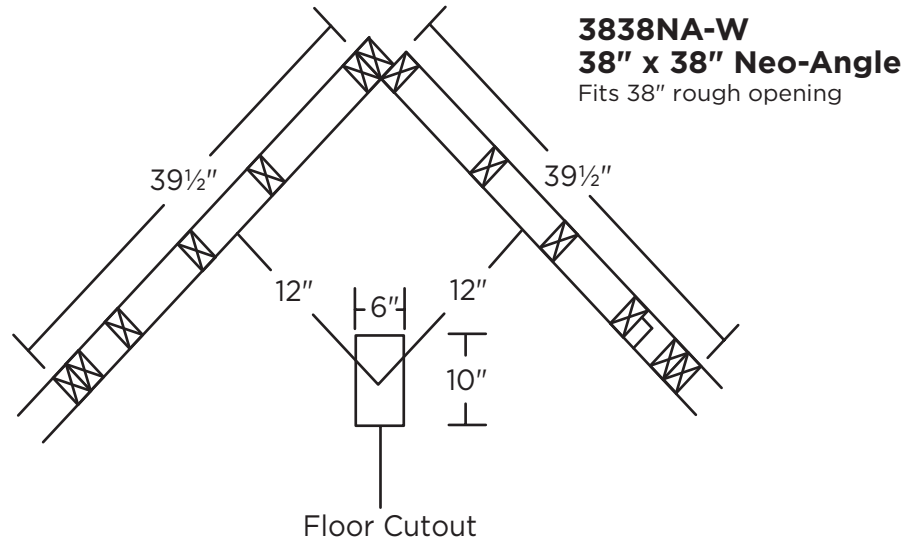
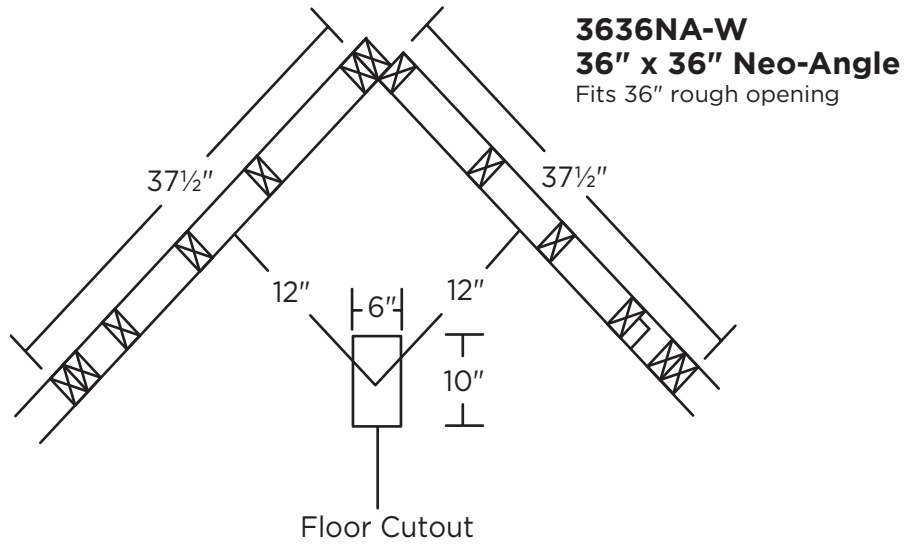
42" W x 42" D

NEED INSTALLATION HELP?

Call Customer Service at 1-888-620-3667 Monday - Friday 8:00 am - 4:30 pm Central Standard Time

Stud Layout

 = stud location



Tools Needed

Level
Jigsaw
Tape Measure
Pencil
Power Drill
Safety Glasses
1/8" Drill Bit

Supplies Needed

Flathead Screws, 1-5/8"
Wood Shims
Construction Adhesive
Mortar Compound (optional)
Drain Assembly
Silicone Caulk for Drain

NOTE: Drain not included

Starting Your Installation

- To ensure the base is the correct color, peel away the blue protective film from base edges. Leave remaining film until installation is complete to protect finish.
- Allow the base to reach room temperature before installation.
- Read installation instructions carefully before starting project.
- Keep instructions for warranty information.
- Do not use plumber's putty. May result in product failure. Use a high grade silicone caulk or latex for all necessary locations.

Base Installation

1 Strip alcove to bare studs. Shower stud pocket should be constructed as shown. Studs should be plumb and square to sub-floor.

Floor must be clean, smooth, and level - check with level. Sub-floor must be installed in the stud layout. Do not install shower base on open floor joists.

Cut hole in sub-floor as shown to accommodate drain (not included).

2 Trial fit base in prepared alcove. With base sitting flat on floor, check with level on top of base. Base should be level from front-to-back and side-to-side (Fig 1).

If base is not level, install wood shims between base feet and sub-floor as needed.

Remove base from alcove.

Optional: If sub-floor is not level, a floor leveling compound (smooth mortar) or a similar quick-setting compound specifically made for leveling floors is an excellent way to fully support and level base instead of wood shims.

3 Apply construction adhesive to all feet and install base into alcove (Fig. 2).

Level base with shims into construction adhesive under feet (Fig 3). After base is leveled, if alcove is larger than base, shim between base and studs to create tight fit. Pre-drill hole using 1/8" drill bit. Then screw base flange to all studs (Fig 4).

NOTE: Failure to screw flange to all studs will void warranty.

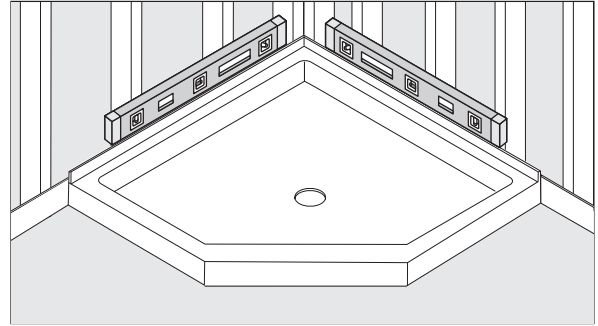


FIG 1 Check to assure base is level.

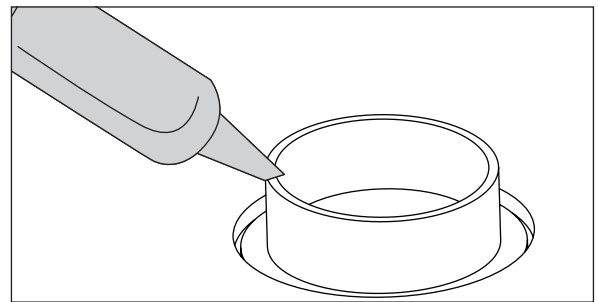


FIG 2 Apply construction adhesive to all feet.

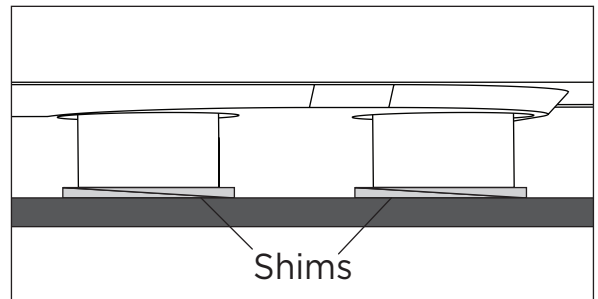


FIG 3 Apply shims under feet into adhesive as needed to level base.

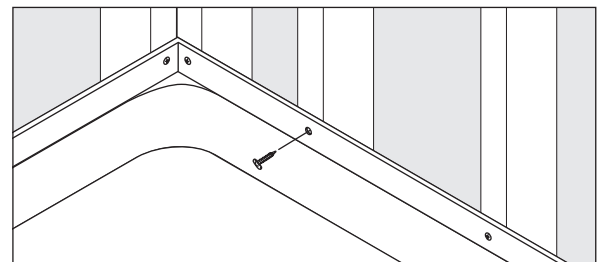


FIG 4 If necessary, shim between base and studs for tight fit. Screw flange to all studs.

Cleaning

Do not use any abrasive cleaners or metal scrapers.

If drywall mud or plaster gets on your shower, it may be carefully removed with a wooden scraper made from a piece of scrap wood.

Adhesive may be removed with mineral spirits.

Ideal cleaners are Formula 409®, Lysol Bathroom Cleaner® or Comet Gel®.

WARNING: Some cleaning products are not suitable for use. Read all labels carefully. DO NOT USE if they say “not suitable for use with ABS, acrylic or polystyrene.”

Scratch Removal Instructions

For effective scratch removal and polishing, you will need to purchase these items:

- 1 sheet 1000 grit 3M® wet-dry sandpaper
- 1 sheet 1500 grit 3M® wet-dry sandpaper
- 1 sheet 2000 grit 3M® wet-dry sandpaper
- 1 small container of 3M® rubbing compound #05933

These items can be purchased at most auto supply stores that provide supplies to professional paint and body shops. Call before you go. Not all auto supply stores will have these items.

1 Start sanding with 2000 grit paper. Use small squares of paper about 2" x 2" for all sanding and use lots of water. The water serves as both a lubricant and to prevent residue buildup on the paper. Residue buildup shortens the effective life of the paper and may scratch the surface you're trying to polish.

2 2000 grit paper is the finest grit available - the higher the number, the finer the grit. If you can't remove all of the scratches with 2000 grit, switch to 1500 grit. Remember to wash the paper frequently with water as you sand.

3 If all of the scratches can't be removed with 1500 grit, switch to 1000 grit. This should remove most fine scratches. If you have deep scratches or a gouge, course paper may actually put more scratches than it removes.

4 Once you have removed all of the scratches by sanding with the finest paper possible, repeat the sanding process using successively finer grits of paper until you've once again sanded with 2000 grit.

5 Now use 3M® rubbing compound #05933 on a soft, damp cloth. Polish using considerable pressure to produce a smooth, shiny finish.

SCRATCH / SANDPAPER GUIDE

SUPERFICIAL SCRATCH 2000 grit
LIGHT SCRATCH 1500 - 2000 grit
MEDIUM SCRATCH 1000 - 2000 grit
DEEP GOUGE 600 - 2000 grit

ATTENTION CONSUMER:

Important Shower Enclosure Warranty Information

Please do not discard

Thank you for your purchase of a shower enclosure
from Foremost Groups, Inc.

In order to be eligible for product warranty, please register
your enclosure on our website within two (2) weeks of installation.

Go to:

www.ForemostBath.com/registration
and follow the instructions

For any questions or comments
about your new shower enclosure,
please contact our customer service at:

1-888-620-3667